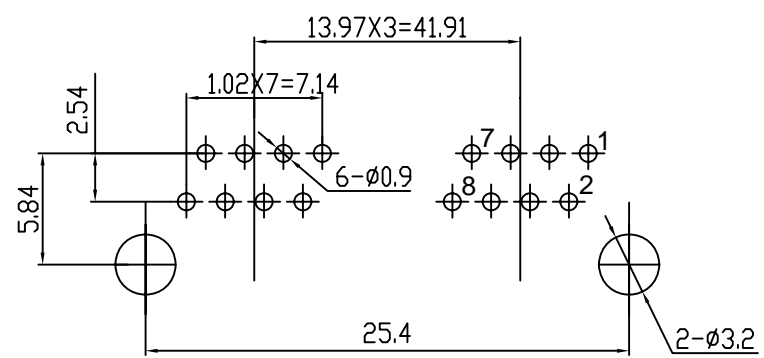
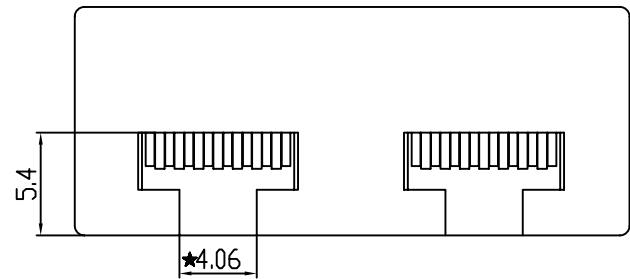


A-A



PC Board Layout

NOTES:

ELECTRICAL:

- 1. VOLTAGE RATING : 125 VAC RMS.
- 2. CURRENT RATING : 1.5 AMP.
- 3. CONTACT RESISTANCE : 30 MILLIOHMS MAX.
- 4. INSULATION RESISTANCE : 500 MEGOHMS MIN @ 500 VDC.
- 5. DIELECTRIC STRENGTH : 1000 VAC RMS 50Hz or 60Hz, 1MIN.

MECHANICAL:

- 1. HOUSING & INSERT MATERIAL : PBT UL94V-0.
- 2. CONTACT MATERIAL : DIAMETER 0.45MM PHOSPHOR BRONZE GOLD PLATING OVER NICKEL.
- 3. MATING/UNMATING FORCE : 2.2KG. F MAX.
- 4. RETENTION STRENGTH : 7.7KG. F MIN BETWEEN JACK AND PLUG.
- 5. OPERATING LIFE : 600 CYCLES MIN.

ENVIRONMENTAL:

- 1. STORAGE : -10°C ~ +40°C RELATIVE HUMIDITY<70%.
- 2. OPERATION : -40°C ~ +85°C.

Remark:

- 1. Tolerances Unless Otherwise Specified
.0±0.25 .00±0.20 .000±0.10
- 2. The mark with ★ is the key inspection dimension for QC

TELL	0769-81585156			<h1>Coorle Technology</h1>			
Fax	0769-81585156						
Units	MM	Drawing	yeyouyu	Material	Name	5324 MiNi 8P8C-1X2	
Scale	1 : 1	Check	wangbin				
Rev'	A / 1	Approval	xuxiaorong	HOUSING	PBT	Part Number	
View		Date	2013/08/10	PIN	Qsn6.5-0.1	File Name	